

Tested to Outlast

We still make them like we used to. Tested for 10,400 cycles which could be up to 25 years in the home.

Extra Capacity

Large 92 litre stainless steel tub won't corrode, chip, pit or crack. It's not only gentler on clothes, but both the inner and outer tub come with a lifetime warranty.

Wash Quality

Traditional full-sized flex vane agitator with extra-large 210° agitation arc, with 68 agitations per minute, provides superior wash performance.

Durable

Triple coated, commercial-grade steel cabinet will look good for years to come, whilst full metal base provides stability and noise suppression.

Commercial Grade

Heavy duty, all metal transmission and industrial strength motor as used in laundrettes world wide.

Fast Cycle Times

Regular cycle, normal wash - 37 minutes.

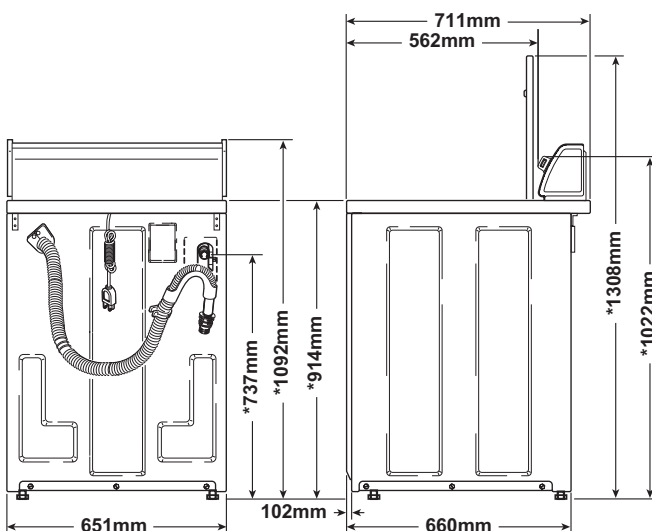
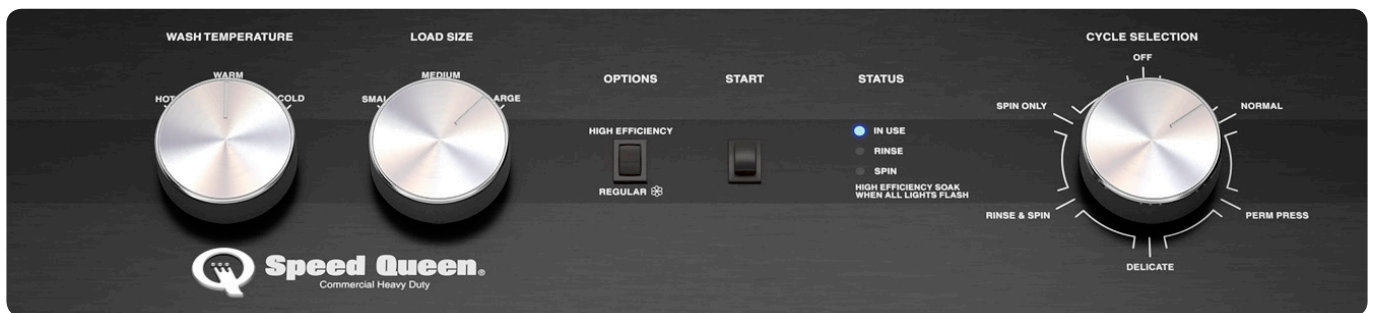
AWNA62

SPEEDQUEEN.COM.AU

AWNA62

Model Numbers	AWNA62
Capacity	8.5 kg
Drum Capacity Litres	92.3 L
Dimensions (H X W X D)	1092 x 651 x 711 mm
Spin Speed (Rpm)	710 / 473 RPM
Agitation Rate	68/44 per minute
Motor Size Kw (Hp)	0.37 (1/2)
Motor Speeds	2
Water Consumption High Efficiency Cycle (Avg)	117 L
Variable Water Level Selection	Yes
Available Cycles	Normal, Perm Press, Delicate, Rinse, Rinse & Spin, Spin only
Wash Options	Regular or High Efficiency

Water Temperature Selection	3
Water Pressure Kpi (Psi)	140-830 (20-120)
Bleach Dispenser	Yes
Fabric Softener Dispenser	Yes
Wash Tub	Stainless Steel
Outer Wash Tub	Porcelain Steel
Cabinet	Triple Coated Galvanised Steel
Electrical Requirements (Voltage/Hz/Ph)	240 V / 50 Hz AC / 1 Ph
Fill Hoses Included	Yes, 1.2 Mtrs
Automatic Balancing System	Yes
Rear Self-Levelling Legs	Yes
Shipping Dimensions (H X W X D)	1156 x 700 x 780 mm
Shipping Weight	89 kg



TOP LOAD