



Speed Queen Home Retail Dryer

ADE3TRGS455NW29

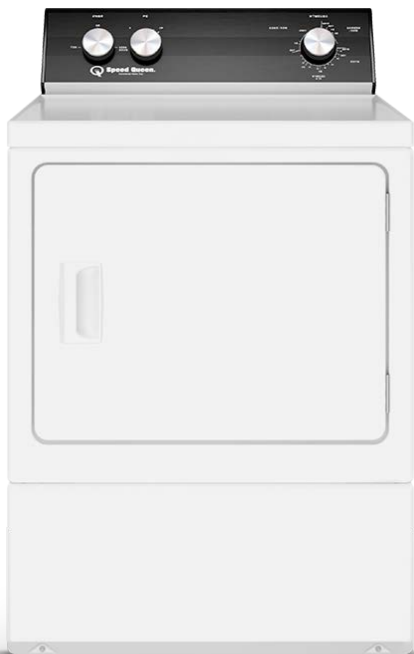
A proven performer

Speed Queen® dryers are designed, tested and built to deliver 25 years of commercial-grade performance in your home. Featuring customizable drying cycles, sophisticated airflow patterns, and advanced moisture sensing to deliver consistently superior results and efficiency. So you can reduce your dry times, eliminate unnecessary drying, lower your utility bills and protect your clothes.

Perfected drying

Through special drying cycles, a flawless Axial Airflow pattern and advanced moisture sensing, you can eliminate excessive drying and save money on your utility bill. If you want durability, innovation and perfectly dried laundry the first time, you need a Speed Queen dryer.

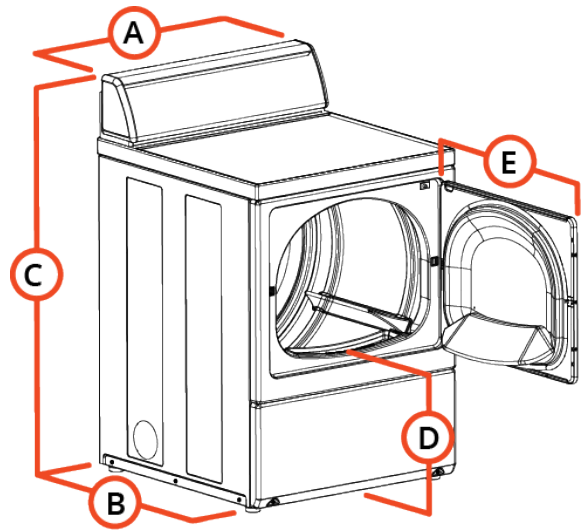
Control



Specifications

Speed Queen Home Retail Dryer

Model	ADE3TRGS455NW29
Capacity [Kg]	10,5
Control	3 Cycle EOC signal
Control location	Rear
Actuation	None
Drum	
Volume l	198
Power	
Motor power kW	0,31
Voltage	220-240/50/1
Cabinet	
Cylinder Finish	Galvanized
Color	White
Door type	W-Window/D-Window
Connections	
Electrical requirements	220-240/50/1
Transport data	
Net weight kg	61
Shipping weight kg	65
Dimensions HxWxD mm	1091 x 683 x 711
Packed dimensions HxWxD mm	1156 x 775 x 826
Packed volume m3	0,74



Dimensions

	mm
A	683
B	711
C	1091
D	392
E	597