



## Speed Queen Home Retail Front Washer Softmount

### AFNE9BSP303XN34

#### Built better to last longer

From the mechanically rolled brushed finish on the hood to the 1 million button pushes during testing, you know the outside is as solid and reliable as the inside. Our electronic controls are the most durable on the market. In fact, the controls manufactured for home use are the same controls you'll find in laundromats, hotels, and other commercial applications.

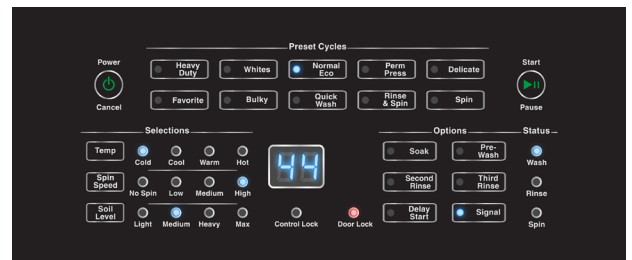


#### A proven performer

Speed Queen laundry equipment is designed for commercial use and applies the same technology and commercial grade components to all of our models intended for use in the home. Our machines are tested to 10,400 cycles. When you take into consideration that the average user washes 8 loads per week, 52 weeks per year, that equates to 10,400 cycles or 25 years in the average home.

#### Commercial grade controls

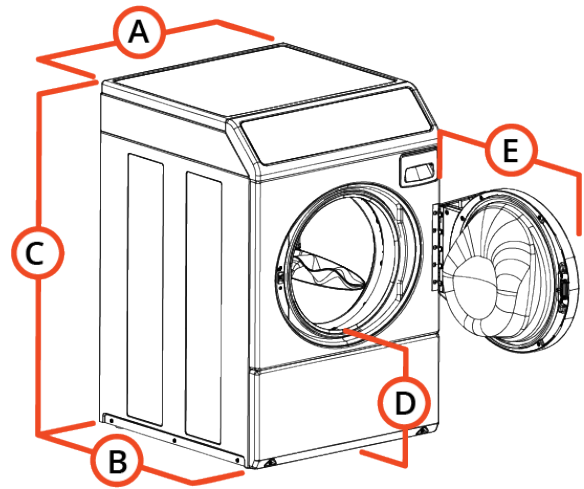
Laundry is all we do, and we do it better than anyone else in the world. For decades, we've been designing, building and testing controls the same way we do our machines: for unmatched, longer-lasting performance. Tested to endure through virtually every event that typically causes malfunction, our controls are durably designed to last in the harshest commercial environments — and last even longer in your home. We're so confident in our controls



## Specifications

# Speed Queen Home Retail Front Washer Softmount

Model		AFNE9BSP303XN34
General details		
Control	HEC	
Control location	Front 45 degree	
Actuation	None	
Drum		
Capacity kg	10,5	
Volume l	96,8	
Drum speed		
G-factor	440	
Extraction RPM	1200	
Power		
Motor power kW	0,67	
Voltage	240/50/1	
Cabinet		
Cylinder Finish	Stainless	
Color	Stainless	
Connections		
Electrical requirements	240/50/1	
Water inlet	3/4"	
Water Pressure kPa	1,4-8,3	
Transport data		
Net weight kg	118	
Shipping weight kg	122	
Dimensions HxWxD mm	1027 x 683 x 704	
Packed dimensions HxWxD mm	1156 x 762 x 864	
Packed volume m3	0,76	



## Dimensions

mm	
A	683
B	704
C	1027
D	371
E	610