



---

### Tested to Outlast

We still make them like we used to. Tested for 10,400 cycles which could be up to 25 years in the home. Our touch pads are tested for 1 million impressions.

---

### Durable

Commercial-grade steel cabinet will look good and last for years to come, whilst full metal base provides stability and noise suppression.

---

### Extra Capacity

Large 96.8 litre stainless steel tub. Big enough for even the largest family, with 180 swing door, a true 10kg washing machine.

---

### Energy Efficient

Dynamic balancing, Incredible 440 G-force and 1,200rpm spin speed for optimum water extraction, and a spray rinse for outstanding results and water saving.

---

### Commercial Grade

Commercial heavy-duty variable induction motor. All metal trunnion, bearing and drive shaft. With heavy-duty seal and commercial shock absorbers for strength and durability.

---

### Convenient Cycle Times

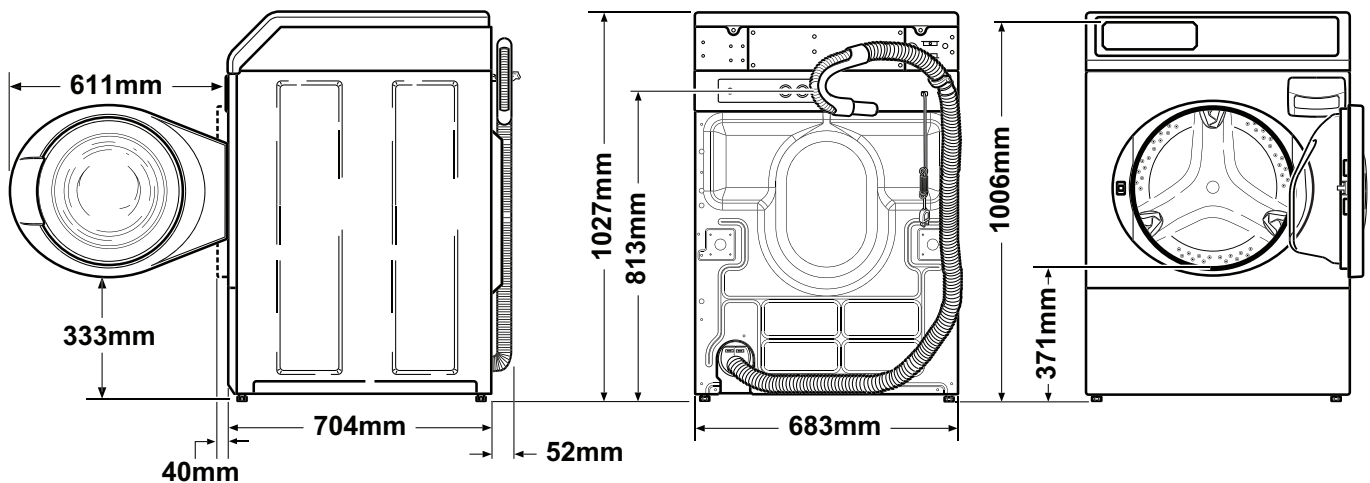
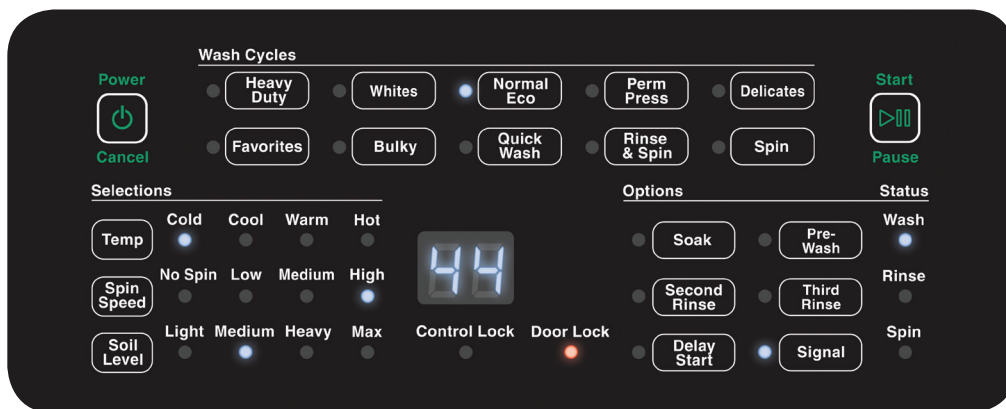
Cycles to suit your lifestyle, Quick Wash, Light, just 24min.

---

**AFNE9BS PLATINUM**

<b>Model Number</b>	AFNE9B Black
<b>Capacity Kg</b>	10 kg
<b>Drum Capacity Litres</b>	96.8 L
<b>Dimensions (H X W X D)</b>	1027 x 683 x 704 mm
<b>Spin Speed G-Force (Rpm)</b>	440 (1200)
<b>Motor Size Kw (Hp)</b>	Variable Speed Induction 0.67 (0.9)
<b>Water Consumption Per Cycle Lt</b>	126 L
<b>Water Temperature Selection</b>	4
<b>Available Cycles</b>	Heavy Duty, Normal Eco, Perm Press, Delicate, Rinse & Spin, Spin Only, Whites, Bulky, Quick & programmable Favourite cycles

<b>Additional Options</b>	Soak, Pre-Wash, Second Rinse, Third Rinse, Delay Start, Signal finish
<b>Water Pressure Kpa(Psi)</b>	140-830 (20-120)
<b>Cycle Indicator Lights</b>	Yes
<b>Wash Tub</b>	Stainless
<b>Outer Wash Tub</b>	Stainless
<b>Fill Hoses Included</b>	Yes, 1.2 Mtrs
<b>Electrical Requirements (Voltage/Hz/Ph)</b>	240 V / 50 Hz AC / 1 Ph
<b>Shipping Dimensions (H X W X D)</b>	1156 x 732 x 832 mm
<b>Shipping Weight</b>	122 kg



## FRONT LOAD