



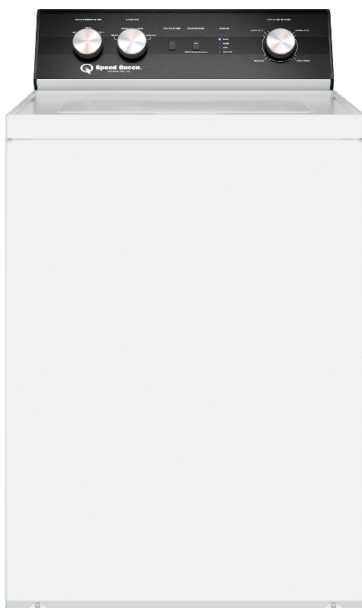
AWN43RSN305XW01

A proven performer

For more than a century Speed Queen has been focused on laundry, we know what it takes to deliver a machine with long-lasting strength, durability and performance like no other. And we put it all into our line of top load washers. Speed Queen® top load washers are built using premium metal parts where others use plastic. They're designed and manufactured to deliver 25 years of commercialgrade performance and superior wash results in your home. And they're pushed beyond their limits in our state-of-the-art test lab to ensure the kind of reliability you can only achieve with 100 years of ingenuity under your belt.

The professional wash

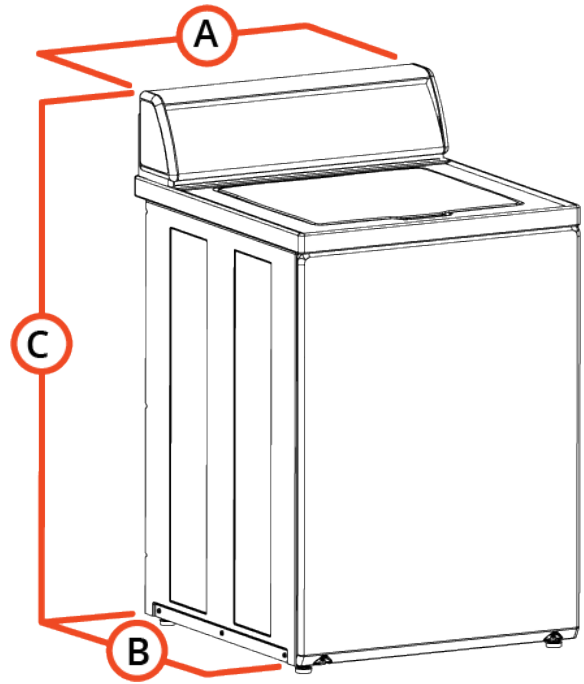
Speed Queen top load washers feature a one of a kind wash system that not only delivers the best wash available, but also takes care of clothes. Our auto fill system guarantees that every load uses enough water for an effective wash. The tub and agitator work together to create a gentle wash action that moves the maximum amount of water through the clothes providing the customer a premium wash and level of fabric care.



Specifications

Speed Queen Home Retail Top Load Washer

| Model | AWN43RSN305XW01 |
|----------------------------|------------------|
| General details | |
| Control | 4 Cycle Hybrid |
| Control location | Rear |
| Actuation | None |
| Drum | |
| Capacity kg | 12,5 |
| Volume l | 90,3 |
| Drum speed | |
| G-factor | 200 |
| Extraction RPM | 820 |
| Power | |
| Motor power kW | 0,75 |
| Voltage | 220-240/50/1 |
| Cabinet | |
| Cylinder Finish | Stainless |
| Color | White |
| Door type | Solid |
| Connections | |
| Electrical requirements | 220-240/50/1 |
| Water inlet | 3/4" |
| Water Pressure kPa | 1,4-8,3 |
| Transport data | |
| Net weight kg | 84 |
| Shipping weight kg | 89 |
| Dimensions HxWxD mm | 1092 x 711 x 651 |
| Packed dimensions HxWxD mm | 1143 x 762 x 711 |
| Packed volume m3 | 0,62 |



Dimensions

| | mm |
|---|------|
| A | 711 |
| B | 651 |
| C | 1092 |