



Speed Queen Homestyle Front Washer Softmount

LFNE5BSP303VW01

A proven performer

For more than a century Speed Queen has been focused on laundry, we know what it takes to deliver a machine with long-lasting strength, durability and performance like no other.



Built better to last longer

The homestyle front load washer offers a hygienic rinse cycle, thus minimising maintenance. Revolutionary balance technology cuts cabinet vibration by 76%, reduces floor force, and decreases drying time and expense – it runs 2.5X quieter than previous models too. Exclusive baffle design scoops water. No enclosed area under the baffles prevents mildew growth and reduces the possibility of odors.

Commercial Grade Controls

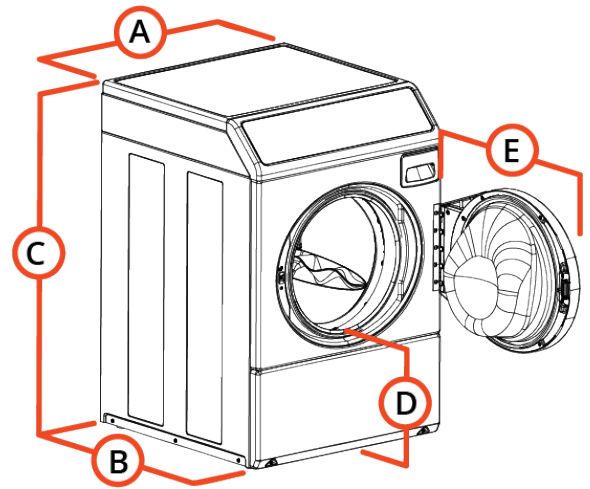
Laundry is all we do, and we do it better than anyone else in the world. For decades, we've been designing, building and testing controls the same way we do our machines: for unmatched, longer-lasting performance. Tested to endure through virtually every event that typically causes malfunction, Speed Queen controls are durably designed to last in the harshest commercial environments — and last even longer in your home. We're so confident in our controls that we back our electronic models with an industry-best warranty on all parts and in-home labor.



Specifications

Speed Queen Homestyle Front Washer Softmount

Model		LFNE5BSP303VW01
General details		
Control	HEC	
Control location	Front 45 degree	
Actuation	None	
Drum		
Capacity kg	15	
Volume l	96,8	
Drum speed		
G-factor	440	
Extraction RPM	1200	
Power		
Motor power kW	0,67	
Voltage	220-240/50/1	
Cabinet		
Cylinder Finish	Stainless	
Color	White	
Door type	Window	
Connections		
Electrical requirements	220-240/50/1	
Gas inlet connection mm	N/A	
Water inlet	3/4"	
Water Pressure kPa	1,4-8,3	
Transport data		
Net weight kg	118	
Shipping weight kg	122	
Dimensions HxWxD mm	1027 x 683 x 704	
Packed dimensions HxWxD mm	1156 x 762 x 864	
Packed volume m3	0,76	



Dimensions

mm	
A	683
B	704
C	1027
D	371
E	610